

Product Overview:

Shibuya Hoppmann's standard FT-20 rigid disc centrifugal feeder is designed to feed a variety of products with its unique bowl design. Product is metered into the bowl and brought out to the bowl rim where a series of qualifiers gently orient the part for transfer to various downstream inline devices.

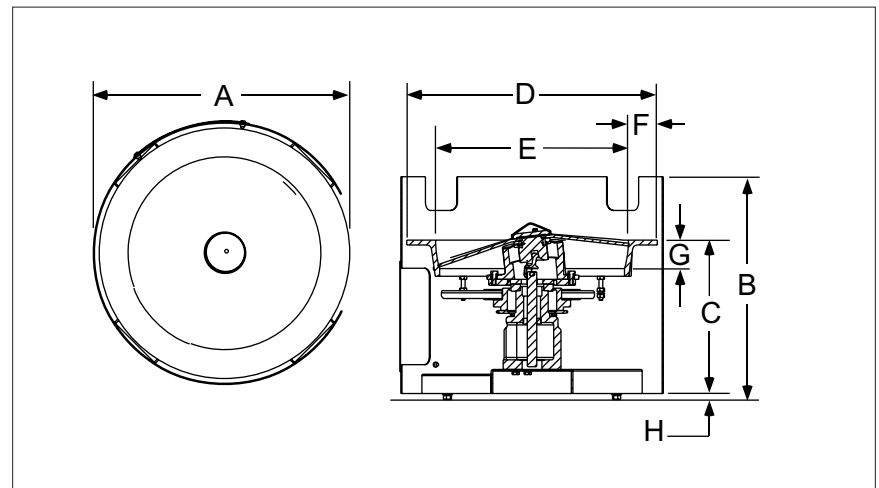
Part Number	FT201RLDSA	FT201RLASA
Motor Style	DC	AC
Motor Voltage	90V	230/460V
Horsepower	1/5hp	1/3hp
Total Equipment Weight	150 lbs.	68 kg

Standard Features:

- All stainless steel exterior construction
- Square tooling frame
- FDA approved ABS vacuum formed disc
- Teflon hard-coated finished aluminum bowl

Available Options:

- Polycarbonate covers
- Dual motor drive system
- Washdown motor(s)
- NEMA 1 encased controller



Required Accessories:	
Clockwise: Square Tooling Frame	BUCWFT20SU
Counter-Clockwise: Square Tooling Frame	BUCCF20SU

Product Specifications		ANSI	Metric
A	Outside Diameter	27.24"	692mm
B	Frame Height	24.25"	616mm
C	Discharge Height	15.66" ± 2"	398 ± 51mm
D	Bowl Outside Diameter	25.75"	654mm
E	Bowl Inside Diameter	20.25"	514mm
F	Rim Width	2.75"	70mm
G	Bowl Depth	2.5"	64mm
H	Level Foot Adjustment	1.75"	44mm

Headquarters
13129 Airpark Dr.
Suite 120
Elkwood, VA 22718
540.829.2564 t
800.368.3582 t
540.829.1726 f

Sales Office
1445 Brookville Way
Suite F
Indianapolis, IN 46239
317.322.0754 t
800.368.3582 t
317.322.0794 f

Manufacturing Office
291 Dillard Road
Madison Heights, VA
24572
434.929.4746 t
800.543.0915 t
434.929.4959 f

www.ShibuyaHoppmann.com | sales@ShibuyaHoppmann.com

Shibuya Hoppmann Corporation strives to improve its products and reserves the right to change or discontinue specifications & designs shown in this brochure without notice and without incurring obligation. Revised: 12/11.